

HygroLog NT

Specifications

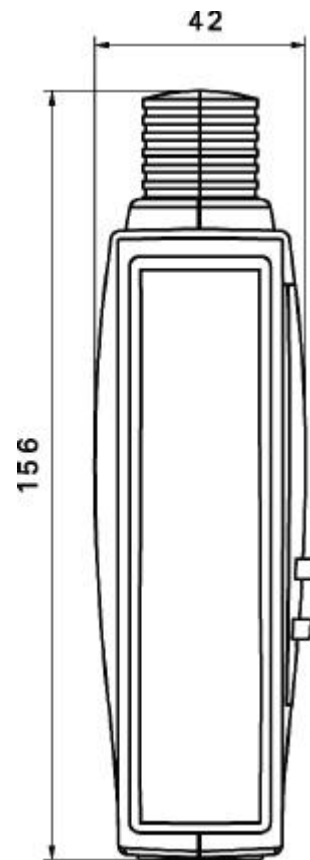
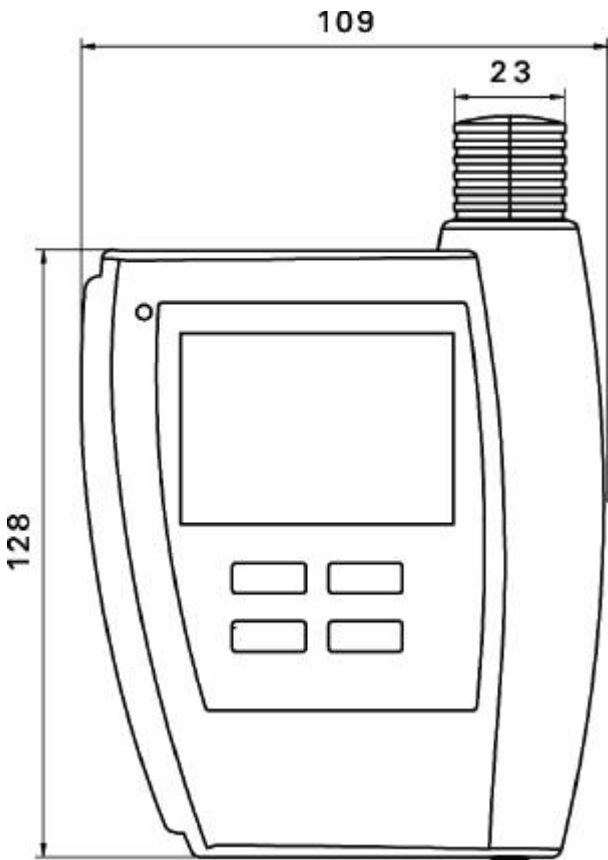


Model	HygroLog NT2	HygroLog NT3
Internal Humidity / Temperature probe	Plug-in ROTRONIC HygroClip S	
Operating limits electronics	Humidity: 0...100 %RH Temperature: -30...70 °C (-22...158°F) / -10...60 °C (14...140°F) with display	
Battery operating limits	Alkaline battery: -10...+50 °C (14...122°F) Lithium battery: -30...+70 °C (-22...158°F)	
Measuring range	Internal probe: 0...100 %RH, same temperature limits as logger External probes: See probe specifications HygroClip probes are available for temperatures within the range of -50...200°C (-58...392°F)	
Accuracy at 23°C (internal probe)	±1.5 %RH ±0.2°C	
Interface	Logger: UART / Bluetooth (option) Docking station: RS232 or USB or RJ45 (Ethernet), RS485	
Internal Power supply	9V battery ≥500 mAh	
External power supply	Via docking station (allows use of a rechargeable battery)	
Battery lifetime	> 1 year - w/o display, 1 probe, 15 min. log interval	
Display	Graphic LC display (option)	
Event logging	Last 170 events such as configuration changes, alarm, etc.	
Internal Menu	Simplified functions, viewing of logged data	
Internal probe adjustment	Direct from internal menu	
External probe adjustment	Direct from internal menu (HygroClip probes only)	
Logger probe inputs	Internal probe	Internal probe + 2 external HygroClip probes
Docking station inputs	Up to 4 probes (HygroClip probes, analog probes or RTD probes (Pt100) and 2 external contacts (depends on docking station model)	
Plug-in Memory Card	Compact flash memory card (16 MB standard - up to 1 GB)	
Internal memory	EEPROM	
Memory capacity (16 MB compact card)	400,000 data points in text file format 752,000 data points in encoded binary format (protected)	
Log interval	Programmable from 5 sec to 24 hours	
Log mode	Start / Stop, with programmable date and time	
Alarm function	Optical and acoustical - programmable	
Housing	ABS, internal protection grade IP65	

Dimensions	Logger: 155 x 106 x 37 mm Docking station: 110 x 70 x 37 mm
Weight	Logger: about 300 g Docking station: about 175 g NT desk stand: About 350 g
Conformance	CE / FDA CFR 21 Part 11 / GAMP4
Anti-theft protection	Use docking station

Outline Drawings (dimensions in mm)

HygroLog NT



Docking Station

